



# AMC40

## SPARROW SERIES

### KEY FEATURES



Lightweight



Industrial-strength, longevity, and with protective sheath



Fully tested



## DATASHEET

### Fly Higher. Fly Longer. Fly Smarter.

Uncrewed aerial vehicle (UAV) electronics have evolved to meet more demanding mission requirements. More demanding energy supply and controller designs continually improve on efficiency, ensure reliability, reduce weight, minimize heat dissipation, and lower cost. The greater levels of energy and performance efficiencies delivered in the Sparrow AMC40 meets the most stringent payload demands and UAV design requirements.

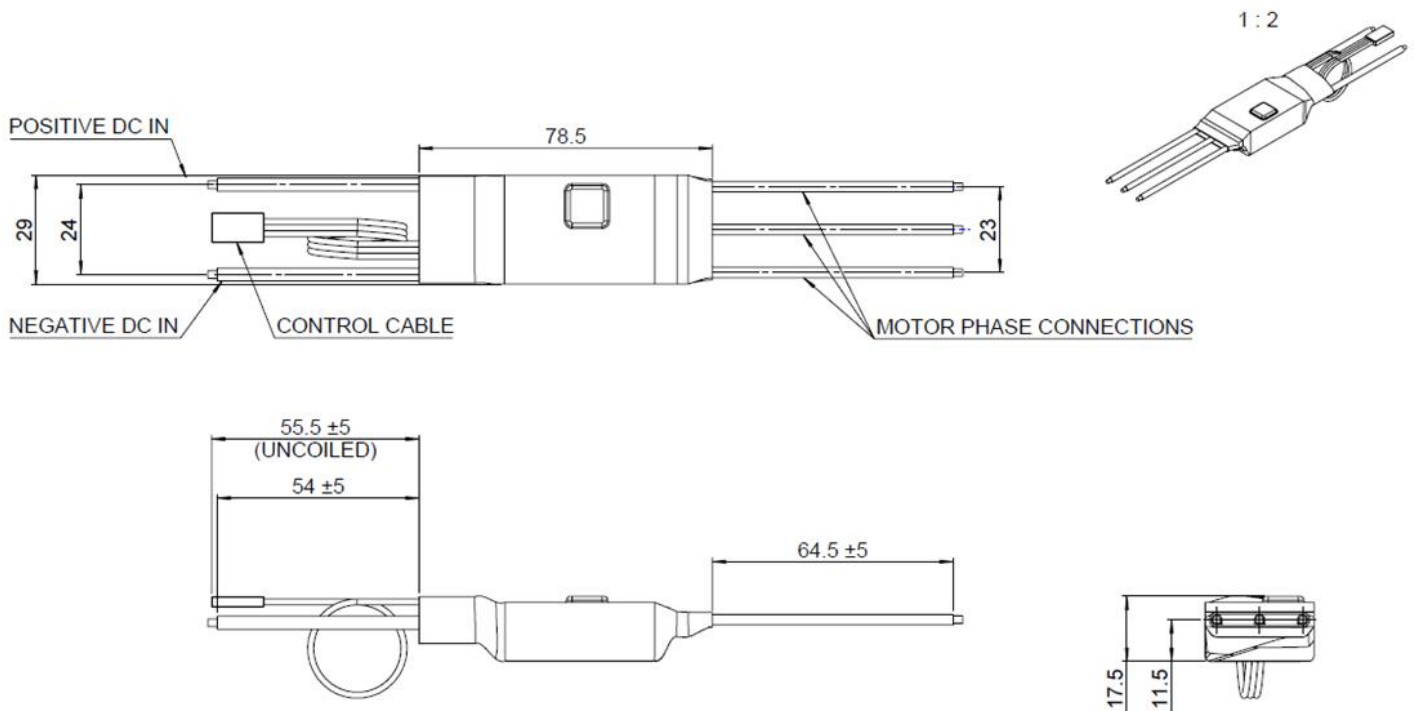
### Air Motor Controller

This USA-made ePropelled air motor controller (AMC40), or electronic speed controller (ESC), works alongside our lightweight Sparrow propulsion motors. Together, they create a high-performance, high-efficiency propulsion system for your aircraft for light- to medium-duty with an IP25 rating. Our AMCs transform DC input voltage into a 3-phase AC output voltage and act as the brain of the electric motor.

## AMC40 TECHNICAL SPECIFICATIONS

PARAMETER	VALUES/DETAILS
Input voltage range	8.5v – 25.2v
Input battery configuration	(2s LiPo) - (6s LiPo)
Motor compatibility	Sensorless
Peak current (10s)	60A
Continuous current	40A
Efficiency	Up to 90%
Ambient temperature range	-20°C to 50°C
Power cable	14 AWG Silicon Wire Black/Red
Motor cable	16 AWG Silicon Wire Black
Signal Cable	PVC Flat Cable – White/Red/Black/JP 3P male Connector
Signal	PWM
IP rating	IP25
Weight	56g
Dimensions (L x W x H)	78.5mm*29mm*17.5mm

## MECHANICAL DIMENSIONS



\*All Dimensions are in mm.

**Note:** All specifications are subject to change without notice. For more information, including ordering products, please contact us at [info@epropelled.com](mailto:info@epropelled.com) | Phone: +1 (603) 236 7444